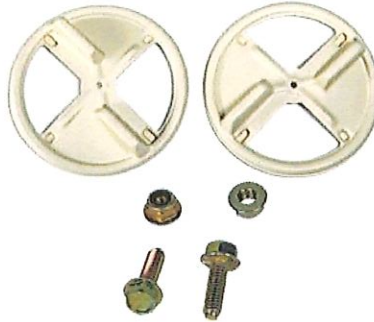




CT-7010K Lower Hutch Vent Kit

Fits 35|85

Assembly Instructions for Cut & Installation



Calf-Tel Lower Hutch Vent Kit Bill of Material:

Item	Item Number	Description	Qty
1	CT-7010	Hutch Vent	2
2	CT-HDWE-011	Hutch Vent Hardware	1

Tools Needed:

1. Router, Roto-zip or Jig Saw
2. ½ in (12.7 mm) Deep Socket with Ratchet

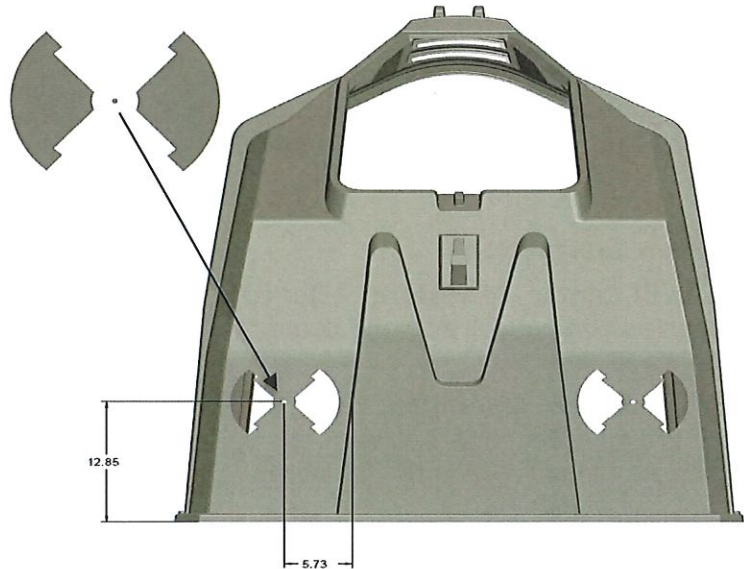
Installation Instructions:

Step 1: Drill Center Vent Hole: Refer to the dimensions on page 1 and drill center hole with a 3/8 drill bit.

Step 2: Trace Vent Openings: Using the template provided on page 3, align the template with holes. Outline the template on the back of plastic hutch.

Step 3: Cut Vent Openings: Use router, roto-zip or jig saw to cut two openings in back of hutch.

Step 4: Install Vent Covers: Place vent covers over openings. Insert supplied bolt from the inside and tighten with nut on outside of hutch. Tighten using ratchet.





CTH-7010K Lower Hutch Vent Kit

Fits 24|74

Assembly Instructions for Cut & Installation



Calf-Tel Lower Hutch Vent Kit Bill of Material:

Item	Item Number	Description	Qty
1	CT-7010	Hutch Vent	3
2	CT-HDWE-057	Hutch Vent Hardware	1

Tools Needed:

1. Router, Roto-zip or Jig Saw
2. ½ in (12.7 mm) Deep Socket with Ratchet
3. ½ in (12.7 mm) Wrench

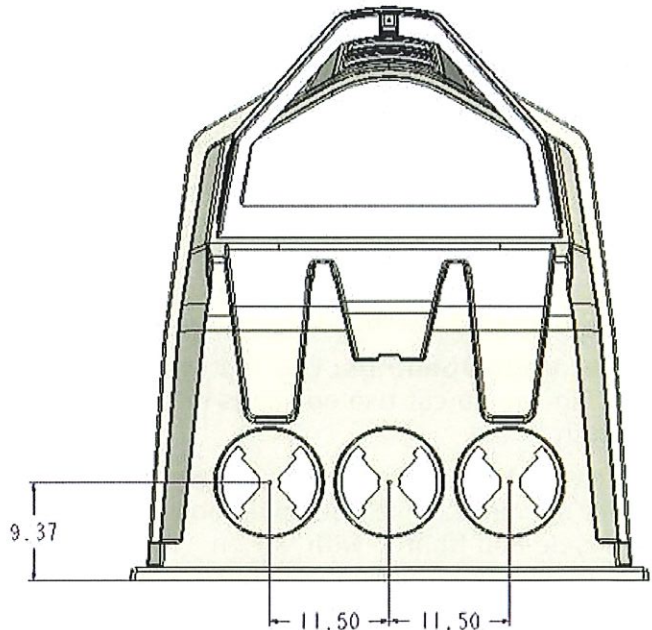
Installation Instructions:

Step 1: Drill Center Vent Hole: Refer to the dimensions on page 1 and drill center hole with a 3/8 drill bit.

Step 2: Trace Vent Openings: Using the template provided on page 3, align the template with holes. Outline the template on the back of plastic hutch.

Step 3: Cut Vent Openings: Use router, roto-zip or jig saw to cut two openings in back of hutch.

Step 4: Install Vent Covers: Place vent covers over openings. Insert supplied bolt from the inside and tighten with nut on



Revised October 2021



Vent Template

